

RT-50 Flow Transmitter

Common Uses

The RT-50 Flow Transmitter includes an easy-to-read backlit LCD display and an intuitive list menu style for easy programming and navigation. The polycarbonate housing provides a weather-tight enclosure to allow the unit to be installed outdoors. The RT-50 is ideal for flow monitoring applications such as:

- Coolant and lubrication circuits
- Test stands, calibration rigs and laboratories
- Food and beverage processing



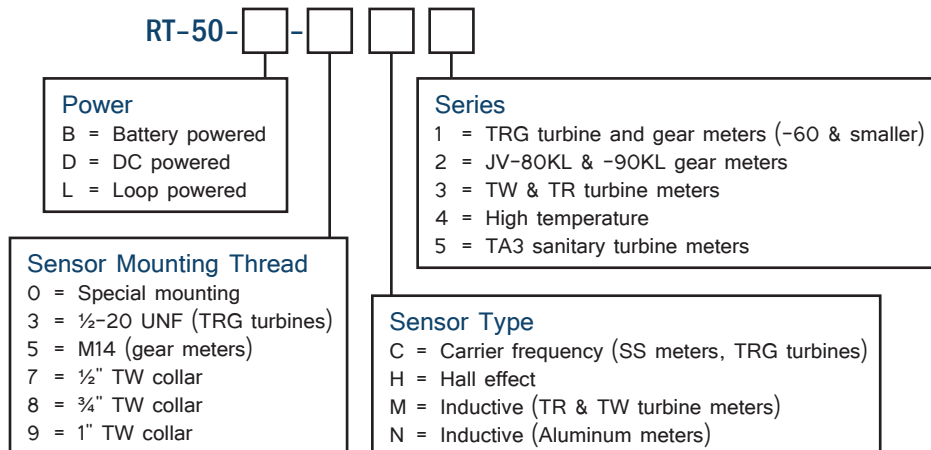
Technical Specifications

Flow Meter Compatibility	JV Series positive displacement gear meters and TRG, TR and TW turbine meters.
Power Options	Battery: 3.6V "C" cell battery, field replaceable; 2-year continuous use estimated average life, depending on options enabled. DC: 12-24 VDC Loop: 2-wire 12-24 VDC
Backup Battery	Lithium coin battery 3V. (CR2032) Stores user data and time when battery is disconnected.
Response Time	50 mS response, frequency dependent
Temperature Rating	-4 to 140°F (-20 to 60°C) ambient, 175°F (80°C) maximum fluid temp.
Input Options	Hall, Carrier, and Inductive frequency sensors.
Enclosure	Rugged, weather-tight enclosure made from high strength Polycarbonate.
Setup Options	<ul style="list-style-type: none">• Local display• Computer toolkit• Mobile app through Bluetooth connection
Engineering Units	Eight selectable engineering units with no conversions to K-factors: <ul style="list-style-type: none">• Gallons• Liters• Milliliters• Meters Cubed• Cubic Centimeters• Barrels (US)• Ounces• Pulses
Outputs*	Frequency, 4-20 mA, and 2 limit outputs. Modbus RTU available on DC units only.
Linearization	10-point linearization table using the Bluetooth app and PC Toolkit
Bluetooth*	Contains Bluetooth Transmitter Module FCC ID:12208A-01

* Loop and DC powered units only

RT-50 Flow Rate Transmitter

Transmitter Dimensions



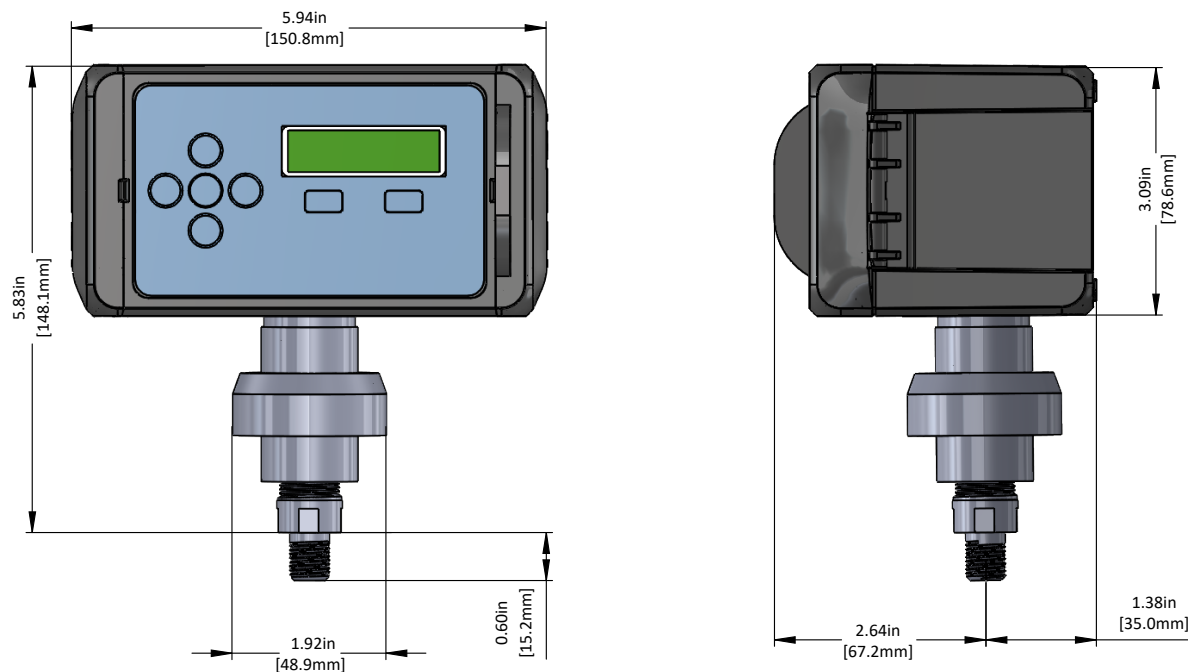
Options Based on Power Supply

Option	Loop Power	DC Power	Battery Power
BT	✓	✓	
MODBUS		✓	
Isolated In/Out	✓	✓	
I-OUT sourcing		✓	
I-OUT sinking	✓		
Hall Effect sensor		✓	
RF/IND sensor	✓	✓	✓
V-OUT		✓	
Backlight	✓	✓	✓

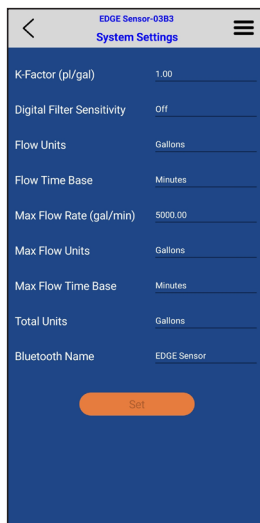
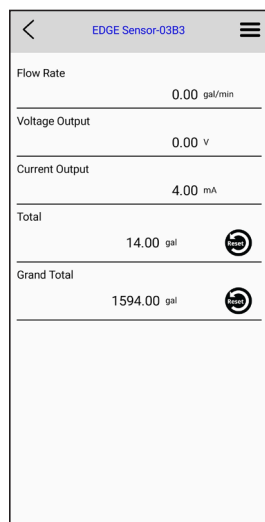
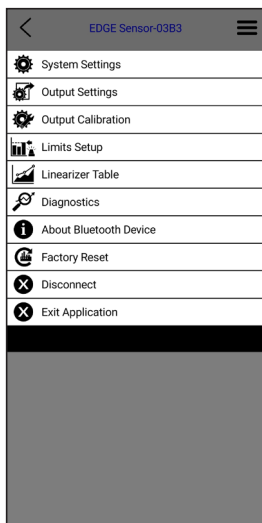
3D STEP Models are available upon request of factory.
Products may be subject to change without notice. Contact factory for the most up-to-date product information.

RT-50 Flow Rate Transmitter

Part Number Guide



Mobile App Screens



Products may be subject to change without notice. Contact factory for the most up-to-date product information.