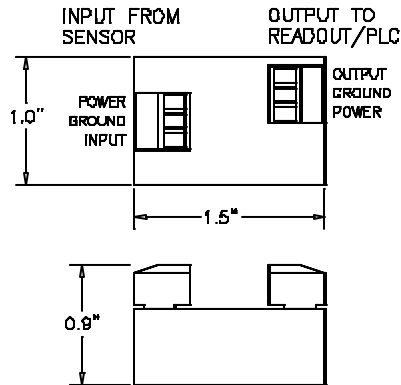
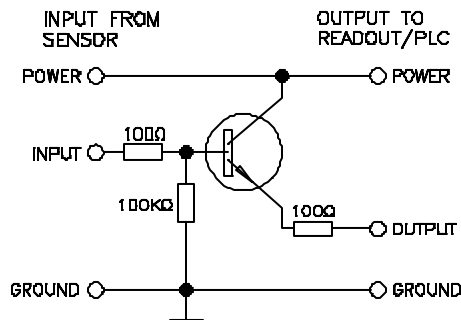


LS-1 & LS-2 Level Shifters

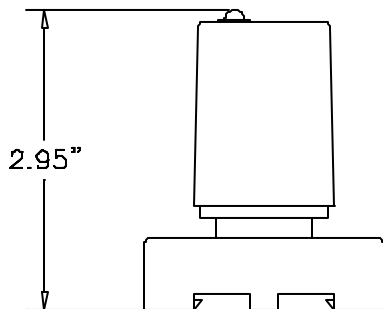
AW-Lake Company sensor outputs may be incompatible with other manufacturers devices. The most common problems are with readouts that have low input impedance or high input hysteresis as may occur in PLC high speed counter cards. The LS-1 & LS-2 units will convert the standard open collector output from AW-Lake Company sensors into a low impedance emitter follower output which allows a larger portion of the signal to go the input device. The LS-1 can be purchased as either a potted module with 3pin terminal connections or as a DIN mountable housing (LS-2) as shown below.



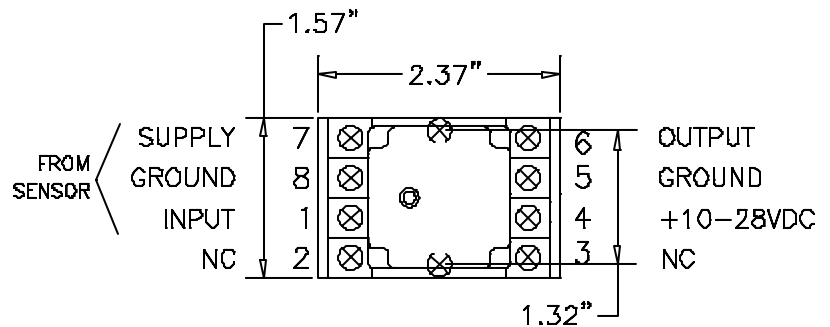
Model: LS-1



LS-1 & LS-2 Circuitry



Model: LS-2



LS-2 Base

Specifications

Supply Voltage: +10-28VDC
 Max Output Current: 50mA
 Output Impedance: 100ohm
 Input Impedance: 100Kohm
 Max Input Frequency: >10KHz

AW Company wire color code:

Supply Voltage: Red
 Ground: Black
 Signal: White