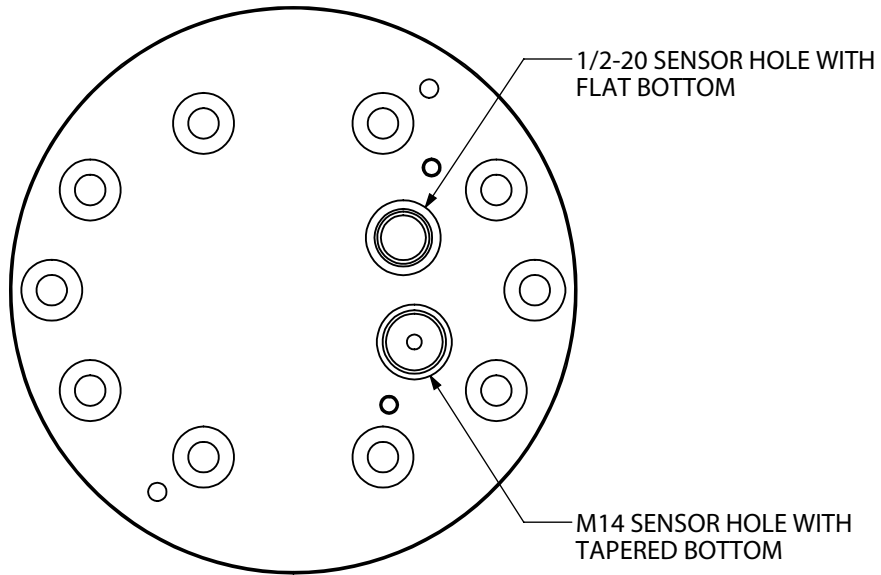
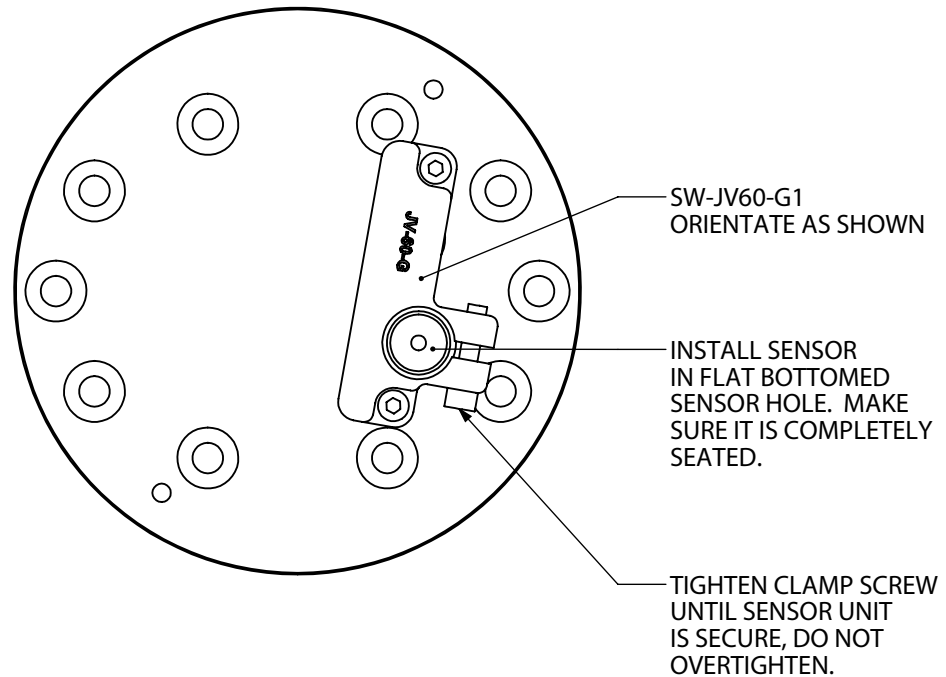


# INSTALLATION OF SW-JV60-G1 CLAMP FITTING

TOP VIEW  
JVx-60xG  
Without Clamp fitting



TOP VIEW  
JVx-60xG  
With Clamp Fitting



A	UPDATED TEMPLATE AND DRAWING NUMBER	1/7/2009	SAH
REV.	DESCRIPTION	DATE	APPROVED

<p>AW-LAKE COMPANY USE ONLY</p> <p>TOLERANCES UNLESS NOTED ENGLISH</p> <p>THIS PRINT, INCLUDING THE INFORMATION CONTAINED IN IT IS THE PROPERTY OF AW-LAKE COMPANY. IT IS CONSIDERED PROPRIETARY IN NATURE AND MAY NOT BE USED OR DISCLOSED OUTSIDE OF AW-LAKE COMPANY, EXCEPT UNDER PRIOR WRITTEN AGREEMENT. ANY MODIFICATIONS MADE TO OR COMMENTS WRITTEN ON THIS DRAWING BY UNAUTHORIZED PERSONNEL WILL VOID THIS DRAWING. ALL DIMENSIONS SHOWN ARE SUBJECT TO CHANGE WITHOUT NOTICE.</p>	PROJECT NAME: INSTALLATION GUIDE SW-JV60-G1	
	PART DESCRIPTION:	
	MATERIAL:	
	FINISH:	
	HARDENING:	
	DRAWING NUMBER: SWJV900A	REV: A
	PART NUMBER:	DATE: 01/07/09
DRAWN BY: S. HONSBERGER		
PAGE: 1 OF 2	SCALE: 0.6:1	



2440 W. Corporate Preserve Dr. #600  
Oak Creek, WI 53154  
Phone: 414.574.4300  
Fax: 414.574.4301

