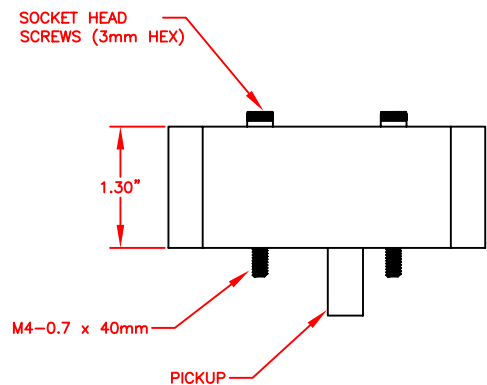
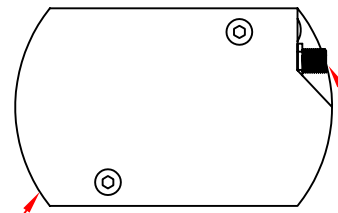


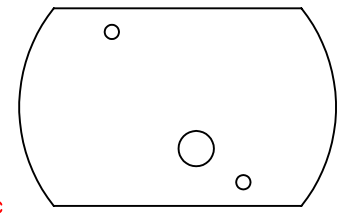
# SIDE VIEW



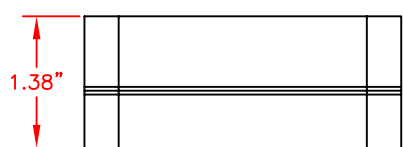
# TOP VIEW



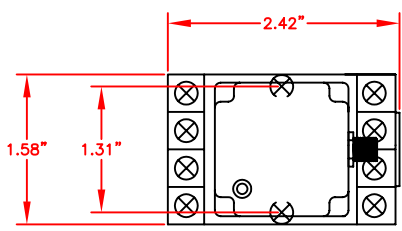
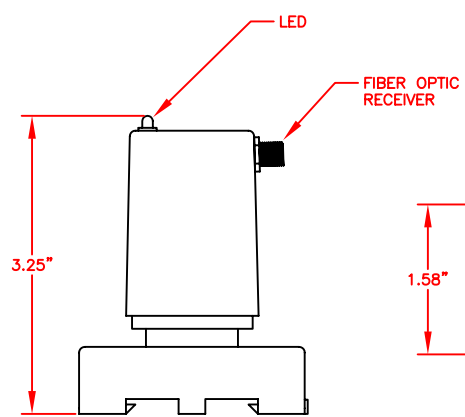
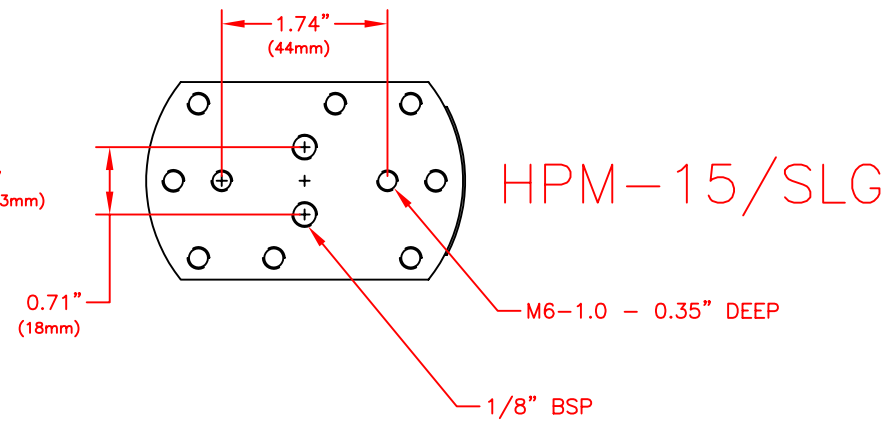
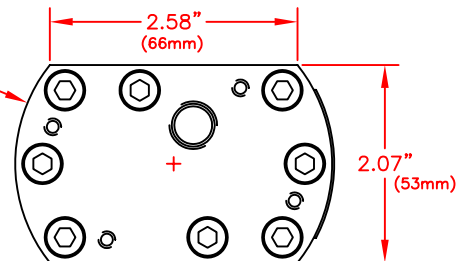
# BOTTOM VIEW



FOP-30



ø3.32" (84.4mm)



OPTV-20

<p>THIS PRINT, INCLUDING THE INFORMATION CONTAINED IN IT, IS THE PROPERTY OF AW COMPANY. IT IS CONSIDERED PROPRIETARY IN NATURE AND MAY NOT BE USED OR DISCLOSED OUTSIDE OF AW COMPANY, EXCEPT UNDER PRIOR WRITTEN AGREEMENT. ANY MODIFICATIONS MADE TO OR COMMENTS WRITTEN ON THIS DRAWING BY UNAUTHORIZED PERSONNEL WILL VOID THIS DRAWING.</p>				<p>2440 W. Corporate Preserve Dr. #600 Oak Creek, WI 53154 Phone: 414.574.4300 Fax: 414.574.4300</p>
		<p>TITLE: FOP-30 SYSTEM DIMENSIONS</p>		
DRAWING NUMBER: FOP3901C		PART NUMBER: —		
DATE: 05-11-98	REV: C	DRAWN BY: CHRIS HUSSON		
CHECKED BY: C.H.	PAGE 1	OF 1	SCALE: NONE	