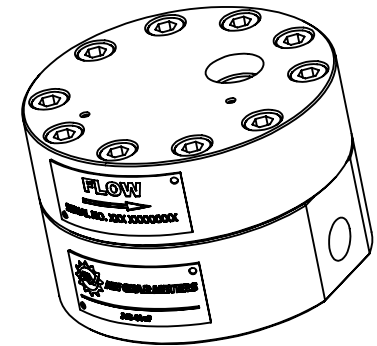
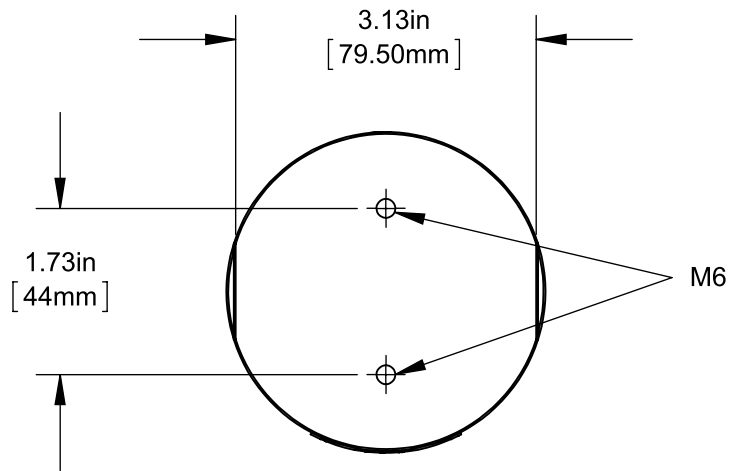
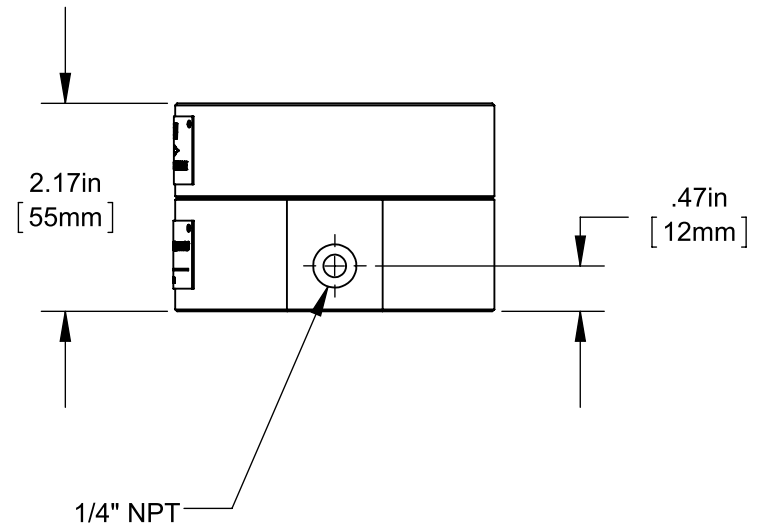
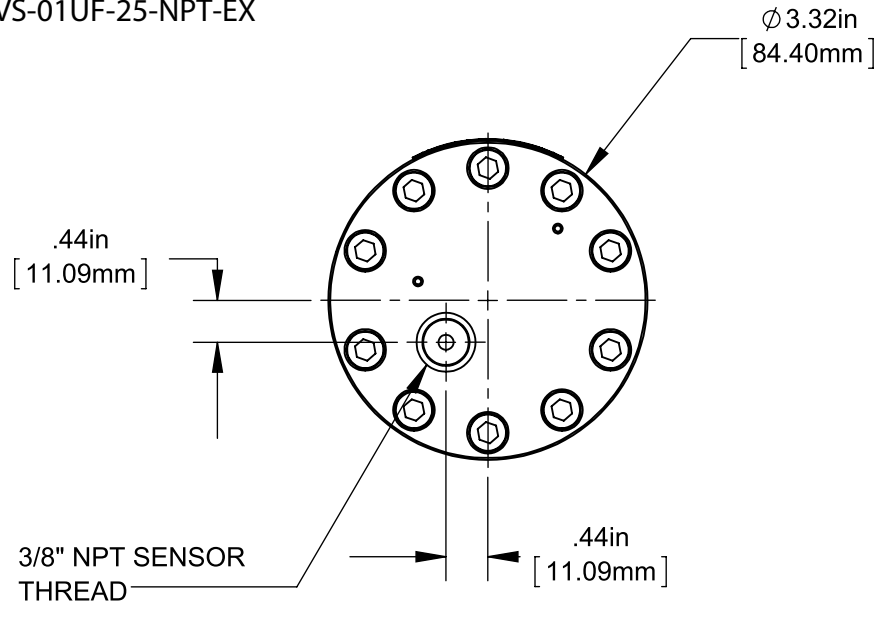


JVS-01UF-25-NPT-EX



UNITS:		DRAWING NO.: JVS-01UF-25-NPT-EX	
TOLERANCES UNLESS OTHERWISE NOTED		PART NO.: JVS-01UF-25-NPT-EX	
IMPERIAL	METRIC	UPPER LEVEL:	
.XXXX ± .0005	.XXX ± .013	DESCRIPTION:	
.XXX ± .003	.XX ± .07	MATERIAL:	
.XX ± .01	.X ± .25	MODELED BY:	DATE: 1/20/2012
FRAC. ± .015	ANG. ± .5°	DRAWN BY: T. Binninger	DATE: 3/20/2015
ANG. ± .5°	ANG. ± .5°	REVISION:	SIZE:
SURFACE FINISH: 64 MAX	SURFACE FINISH: 64 MAX	SCALE: 1:2	A
INTERNAL USE ONLY	THIRD ANGLE	SHEET: 1 OF 1	
<small>THIS PRINT, INCLUDING THE INFORMATION CONTAINED IN IT IS THE PROPERTY OF AW-LAKE COMPANY. IT IS CONSIDERED PROPRIETARY IN NATURE AND MAY NOT BE USED OR DISCLOSED OUTSIDE OF AW-LAKE COMPANY, EXCEPT UNDER PRIOR WRITTEN AGREEMENT. ANY MODIFICATIONS MADE TO OR COMMENTS WRITTEN ON THIS DRAWING BY UNAUTHORIZED PERSONNEL WILL VOID THIS DRAWING. ALL DIMENSIONS SHOWN ARE SUBJECT TO CHANGE WITHOUT NOTICE.</small>			



2440 W. Corporate Preserve Dr. #600  
 Oak Creek, WI 53154  
 Phone: 414.574.4300  
 Fax: 414.574.4301

A		01/18/2013	XX	XXX	XX
REV.	DESCRIPTION	DATE	BY	ECN	APVD
REVISIONS					